

## Control for INFRA-RED and STANDARD DRY SAUNA or STEAM SAUNA

SD-4PB Thermostat and Timer in One Unit with LED display and 2 Powerful Relays for loads up to 2 x 30Amps / 250Vac - no need for Power Box



4.5" x 6.5" ( 11.5cm x 16.5cm )

Self calibrating, accurate, programmable thermostat processor does not require any maintenance or adjustments

Programmable temperature preset range limit up to 255F ( 124C ) or standard 194F ( 90C ) and 131F ( 55C ) limits

Programmable timer limit up to 100 hours or standard 60 minutes limit

Programmable Delay-Before-Start count-down up to 100 hours ( optional )

External temperature sensor probe with standard wire up to 500 Ft ( 150 m )

Supply voltage: 115V, 208-250V, 24V or 12V AC/DC

All fits in standard 3-Gang wiring box

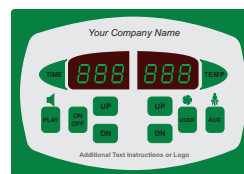
No EMF radiation emitted

**OPTIONS:**

- > 1 or 2 additional relays for up to 10Amp loads each
- > Input for External ON/OFF switch
- > Output for External ON indicator LED lamp
- > Time count in Minutes or Hours and Minutes
- > Accumulated operating time counter up to 50,000 hrs
- > Programmable Stand-by or Preheat functions
- > Supply voltage can be different than load voltage
- > Up to 9 custom control push-buttons
- > Semi-Flush or Flush mounting models
- > Remote Control and Display panel up to 500 Ft
- > Variety of temperature sensor probes
- > Auxiliary control for Light, Fan and other

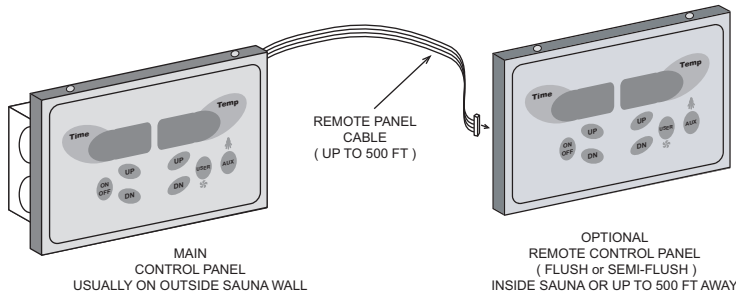


Examples of Vertical models ( 3-Gang )

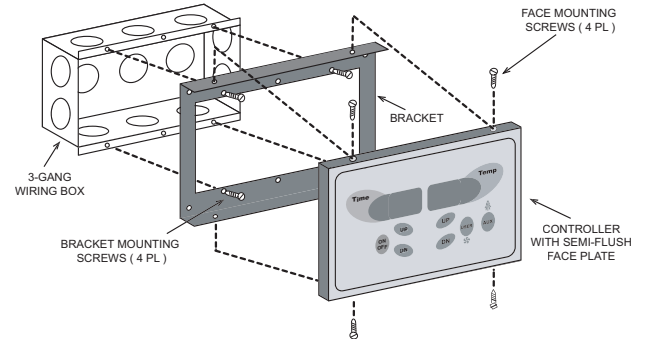


Optional Remote Start/Stop switch with LED Lamp ( 1-Gang )

Examples of some custom face labels

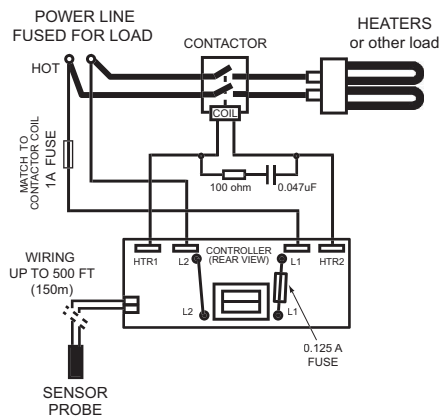


**OPTIONAL**  
Main Controller with Remote Control and Display

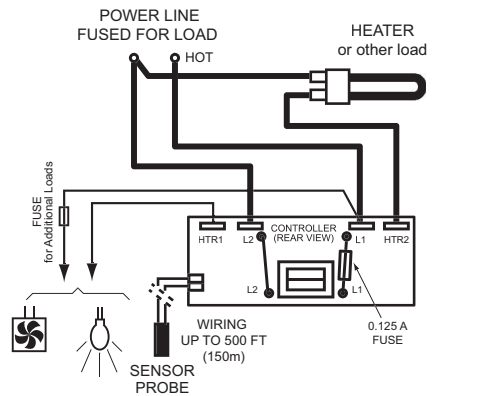


Example mounting in 3-Gang box

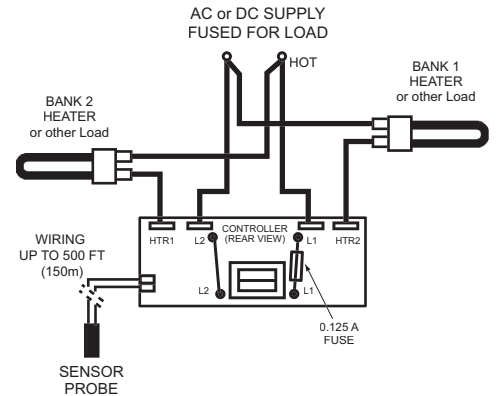
### SOME WIRING EXAMPLES ( Possible over 30 wiring configurations )



WIRING FOR HEAVY LOADS  
USING ADDITIONAL CONTACTOR



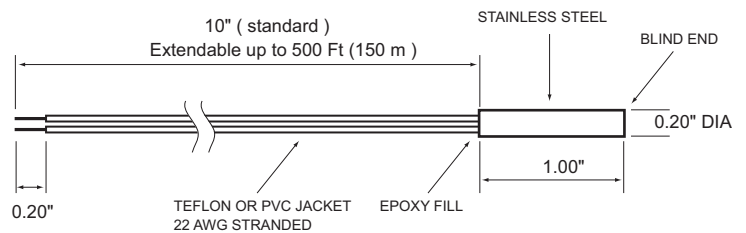
WIRING FOR 1 LOAD UP TO 30Amp/250V MAX.  
AND ADDITIONAL LOADS



WIRING FOR AC or DC LOADS  
IN 2 BANKS, EACH FOR 30Amp/250V MAX.



SENSOR PROBE WITH FLANGE  
and 13 Ft ( 4 m ) cable



STANDARD SENSOR PROBE